



prosthetics
catalog

BIOHORIZONS[®]

SCIENCE • INNOVATION • SERVICE

why choose BioHorizons prosthetics?

Using authentic BioHorizons parts will ensure a precision fit connection between the prosthetic component and implant, avoiding costly component failures that may occur from using third-party prosthetics. Authentic BioHorizons parts are color-coded for easy identification to match the mating implant.

authentic connection

advantages:

- lifetime warranty on all implants & prosthetics
- Spiralock® technology minimizes screw loosening
- precise mating geometries reduce prosthetic failures
- advanced design creates a better engineered connection
- color-coded prosthetic components match implant platforms



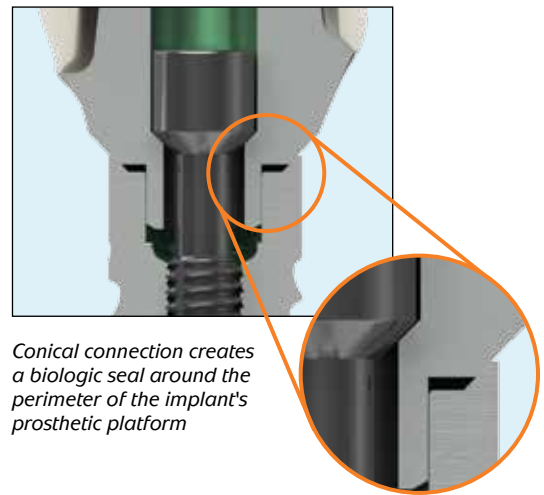
Look for this symbol from
labs who use authentic
BioHorizons parts.

For more information, visit us at
www.biohorizons.com/authentic.aspx



engineering better prosthetics

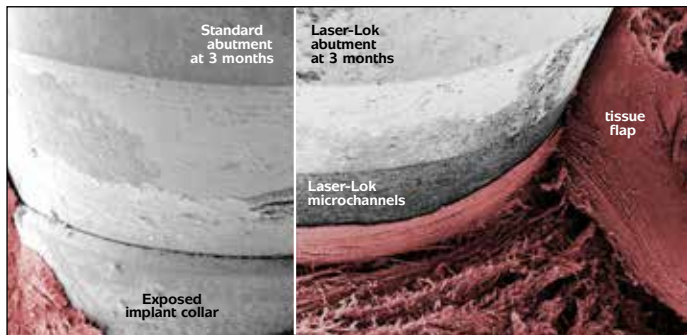
BioHorizons prosthetics are engineered and manufactured to seat precisely every time. The conical connection includes a small space between the components to guarantee contact of the abutment and implant around the entire perimeter of the prosthetic platform. This design creates a biologic seal and achieves optimal stress transmission, that protects the abutment screw from fracture and loosening.



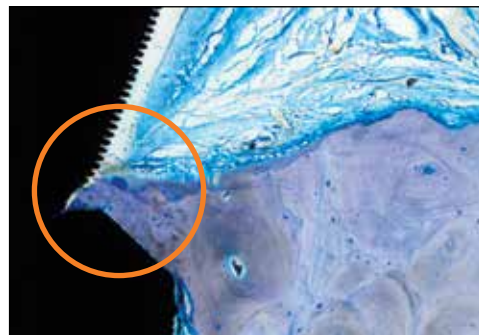
Conical connection creates a biologic seal around the perimeter of the implant's prosthetic platform

Laser-Lok[®] technology

Laser-Lok microchannels is a proprietary surface treatment developed from over 25 years of research initiated to create the optimal implant surface. The establishment of a physical, connective tissue attachment to the Laser-Lok surface has generated an entirely new area of research and development: Laser-Lok applied to abutments. Through this research, the unique Laser-Lok surface has been shown to elicit a biologic response that includes the inhibition of epithelial downgrowth and the attachment of connective tissue.¹⁻⁹ Laser-Lok abutments can support peri-implant health around implants without Laser-Lok. Multiple pre-clinical and clinical studies support both of these concepts.⁴⁻⁹



Comparative SEM images show the variation in tissue attachment strength on standard and Laser-Lok abutments when a tissue flap is incised vertically and manually lifted using forceps.⁵



Histology of a Laser-Lok abutment on an RBT implant with a machined collar showing exceptional bone growth at 3 months.⁵



interactive prosthetic technique manual



The prosthetic technique manual provides fully illustrated step-by-step instruction for the use of BioHorizons prosthetics. The manual is intended to educate both clinicians and labs about the prosthetic options available. It is separated into technique modules that are updated frequently to describe the most current protocols used in implant dentistry.

The PDF versions of these modules are further enhanced by new animated sequences of the procedures providing multiple methods of learning the content.

The manual and animations are available online at www.biohorizons.com/prosthetic-techniques.aspx or on the BioHorizons app in the Prosthetics section.



This icon indicates a step-by-step technique module is available.



table of contents

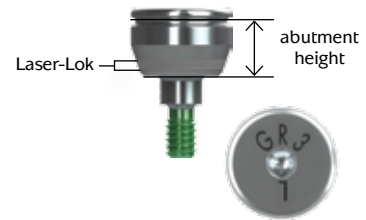
healing abutments	5
temporary abutments	6-7
impression components	8-10
custom & CAD/CAM abutments	11-13
Multi-unit abutments & components	14-18
Simple Solutions abutments & components	19-20
esthetic & cementable abutments	21-22
OD Secure abutments & components	23-24
Locator abutments & components	25-26
Locator R-Tx abutments & components	27
ball abutments & components	28-29
abutment for screw	30-31
tissue-level implant prosthetics	32-33
prosthetic instrumentation	34-35
prosthetic platform identification	36
support materials & references	37
ordering & warranty information	38



HEALING ABUTMENTS

Laser-Lok Healing Abutments

		abutment diameter	3mm height	5mm height
Narrow	3.5mm platform, Laser-Lok	4.0mm	PYNHA3L	PYNHA5L
	4.5mm platform, Laser-Lok	5.0mm	PGNHA3L	PGNHA5L
	5.7mm platform, Laser-Lok	6.0mm	PBNHA3L	PBNHA5L
Regular	3.0mm platform, Laser-Lok	3.5mm	TP3HA3L	TP3HA5L
	3.5mm platform, Laser-Lok	4.5mm	PYRHA3L	PYRHA5L
	4.5mm platform, Laser-Lok	5.5mm	PGRHA3L	PGRHA5L
	5.7mm platform, Laser-Lok	6.5mm	PBRHA3L	PBRHA5L
Wide	3.0mm platform, Laser-Lok	4.0mm	TP3WHA3L	TP3WHA5L
	3.5mm platform, Laser-Lok	6.0mm	PYWHA3L	PYWHA5L
	4.5mm platform, Laser-Lok	7.0mm	PGWHA3L	PGWHA5L



Y = Yellow (3.5mm) platform
 G = Green (4.5mm) platform
 B = Blue (5.7mm) platform
 N, R or W = Narrow, Regular or Wide emergence
 3 or 5 = 3mm or 5mm abutment height
 L = Laser-Lok

3.0 healing abutments are not laser marked due to their small size.

Use Laser-Lok healing abutments when a Laser-Lok abutment restoration is planned to inhibit epithelial downgrowth, establish a soft tissue seal and protect the bone. When a Laser-Lok component is used and temporarily removed for impression making or other restorative procedures, keep the removed Laser-Lok component in sterile saline until reinserting into the site. Hand-tighten with the .050" (1.25mm) Hex Driver. Titanium Alloy.



L02015-003 Handling of Laser-Lok abutments module

Standard Healing Abutments

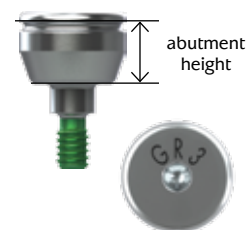
		abutment diameter	1mm height	2mm height	3mm height	5mm height
Narrow	3.0mm platform	3.0mm	-	TP3NHA2	TP3NHA3	TP3NHA5
	3.5mm platform	4.0mm	PYNHA1	PYNHA2	PYNHA3	PYNHA5
	4.5mm platform	5.0mm	PGNHA1	PGNHA2	PGNHA3	PGNHA5
	5.7mm platform	6.0mm	PBNHA1	PBNHA2	PBNHA3	PBNHA5
Regular	3.0mm platform	3.5mm	-	TP3HA2	TP3HA3	TP3HA5
	3.5mm platform	4.5mm	-	PYRHA2	PYRHA3	PYRHA5
	4.5mm platform	5.5mm	-	PGRHA2	PGRHA3	PGRHA5
	5.7mm platform	6.5mm	-	PBRHA2	PBRHA3	PBRHA5
Wide	3.0mm platform	4.0mm	-	-	TP3WHA3	TP3WHA5
	3.5mm platform	6.0mm	-	-	PYWHA3	PYWHA5
	4.5mm platform	7.0mm	-	-	PGWHA3	PGWHA5

Hand-tighten with the .050" (1.25mm) Hex Driver. Titanium Alloy.

The 3.5mm, 4.5mm and 5.7mm healing abutments are laser marked for easy intraoral identification of the prosthetic platform, emergence and height:

Y = Yellow (3.5mm) platform
 G = Green (4.5mm) platform
 B = Blue (5.7mm) platform
 N, R or W = Narrow, Regular or Wide emergence
 1, 2, 3 or 5 = 1mm, 2mm, 3mm or 5mm abutment height

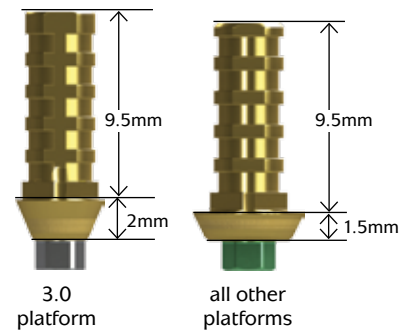
3.0 healing abutments are not laser marked due to their small size.



TEMPORARY ABUTMENTS

Laser-Lok Easy Ti Abutments

TP3ETHL	3.0mm platform, hexed
PYETHL	3.5mm platform, hexed
PGETHL	4.5mm platform, hexed
PBETHL	5.7mm platform, hexed
TP3ETNL	3.0mm platform, non-hexed
PYETNL	3.5mm platform, non-hexed
PGETNL	4.5mm platform, non-hexed
PBETNL	5.7mm platform, non-hexed



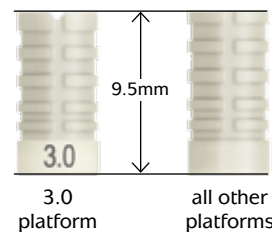
Use hexed for single-unit, screw retained, long term temporary restorations that require superior esthetics. Use non-hexed for multiple-unit, screw retained, long term temporary restorations. When a Laser-Lok component is used and temporarily removed for impression making or other restorative procedures, keep the removed Laser-Lok component in sterile saline until reinserting into the site. Packaged with an abutment screw (PXAS). Titanium Alloy for strength. TiN coated for esthetics. Final torque: 30Ncm.



L02015-037 Screw-retained crown using the Laser-Lok Easy Ti abutment module

TP3ETPS	3.0mm platform (pack of 3), PEEK
PXETPS	3.5mm, 4.5mm & 5.7mm platform (pack of 3), PEEK

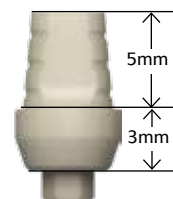
Use for fabrication of cement-retained provisional restorations (up to 30 days). Packaged in packs of three. PEEK (PolyEtherEtherKetone) material.



L02015-039 Cement-retained crown using the Laser-Lok Easy Ti abutment and PEEK plastic sleeves module

PEEK Temporary Abutments (Regular Emergence)

TP3TA	3.0mm platform
PYRTA	3.5mm platform
PGRTA	4.5mm platform
PBRTA	5.7mm platform



Use for fabrication of cement- or screw-retained provisional restorations (up to 30 days). A direct coping screw (PXDCS, purchased separately) may be used to maintain screw access hole during fabrication of screw-retained provisional prostheses. Packaged with an abutment screw (PXAS). PEEK (PolyEtherEtherKetone) material. Final torque: 30Ncm.



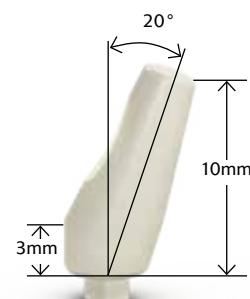
L02015-017 Cement-retained crown using the PEEK temporary abutment module

L02015-018 Screw-retained crown using the PEEK temporary abutment module

Angled PEEK Temporary Abutments (Regular Emergence)

TP3RATA*	3.0mm platform
PYRATA*	3.5mm platform
PGRATA*	4.5mm platform

Use for fabrication of cement-retained provisional restorations (up to 30 days). Packaged with an abutment screw (PXAS). PEEK (PolyEtherEtherKetone) material. Final torque: 30Ncm.

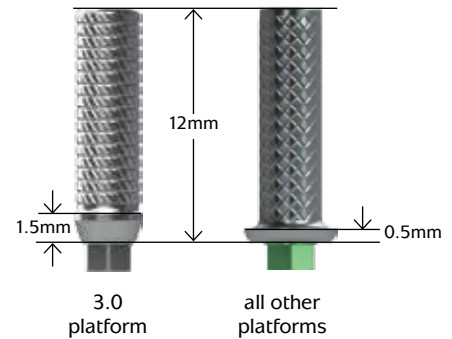


* Available in Q2 2017

TEMPORARY ABUTMENTS

Titanium Temporary Abutments

TP3TTH	3.0mm platform, hexed
PYTTH	3.5mm platform, hexed
PGTTH	4.5mm platform, hexed
PBTTH	5.7mm platform, hexed
TP3TTN	3.0mm platform, non-hexed
PYTTN	3.5mm platform, non-hexed
PGTTN	4.5mm platform, non-hexed
PBTTN	5.7mm platform, non-hexed



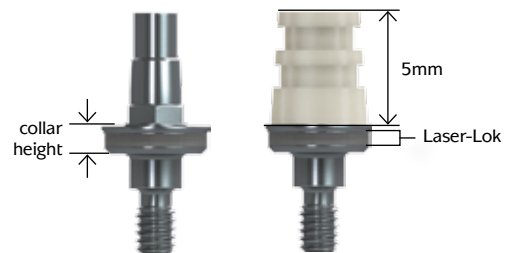
Use hexed for single-unit, screw-retained, long term temporary restorations (>30 days). Use non-hexed for multiple-unit, screw-retained, long term temporary restorations (>30 days). Packaged with an abutment screw (PXAS). Titanium Alloy. Final torque: 30Ncm.



L02015-022 Screw-retained bridge using titanium temporary abutments module

Two-piece Custom Temporary Abutments

	Laser-Lok		standard	
	1mm collar	3mm collar	1mm collar	3mm collar
3.0mm platform	TP3CTA1L	TP3CTA3L	TP3CTA1	TP3CTA3
3.5mm platform	PYCTA1L	PYCTA3L	PYCTA1	PYCTA3
4.5mm platform	PGCTA1L	PGCTA3L	PGCTA1	PGCTA3



Use to create an immediate temporary abutment for sculpting the soft tissue.

Two-piece Custom Temporary Abutments are offered with Laser-Lok microchannels on the collar to inhibit epithelial downgrowth and establish a biologic soft tissue seal around the abutment. When a Laser-Lok component is used and temporarily removed for impression making or other restorative procedures, keep the removed Laser-Lok component in sterile saline until reinserting into the site. Use included PEEK sleeve to support a temporary prosthesis. Final torque: 30Ncm.



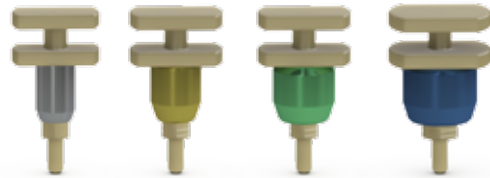
L02015-019 Immediate restoration with two-piece custom temporary abutment module

L02015-020 Immediate restoration with Laser-Lok two-piece custom temporary module

IMPRESSION COMPONENTS

Snap Copings

TP3RSC	3.0mm platform (Regular Emergence)
TP3WSC	3.0mm platform (Wide Emergence)
PYNSC	3.5mm platform (Narrow Emergence)
PYRSC	3.5mm platform (Regular Emergence)
PYWSC	3.5mm platform (Wide Emergence)
PGNSC	4.5mm platform (Narrow Emergence)
PGRSC	4.5mm platform (Regular Emergence)
PGWSC	4.5mm platform (Wide Emergence)
PBNSC	5.7mm platform (Narrow Emergence)
PBRSC	5.7mm platform (Regular Emergence)



Use to make a closed-tray, direct pick-up, implant-level impression.
PEEK (PolyEtherEtherKetone) and Titanium Alloy material.



L02015-034 Closed tray pick-up technique using the snap coping module

one-piece design

Coping easily snaps into prosthetic platform by hand, without the need for additional instruments.

radiopaque ring

Color-coded titanium ring used to verify seating on a radiograph. Emergence matches the emergence of the corresponding healing abutment.

low profile

Short 9.5mm coping height can be reduced further to 6.5mm by removing the top flange without compromising the accuracy of the impression.

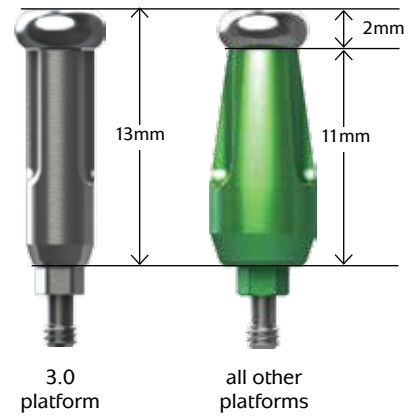


Clinical image courtesy of Dr. Neal Gittleman

IMPRESSION COMPONENTS

Indirect Scoop Copings (Closed Tray)

TP3ISC	3.0mm platform (Regular Emergence)
TP3WISC	3.0mm platform (Wide Emergence)
PYNISC	3.5mm platform (Narrow Emergence)
PYRISC	3.5mm platform (Regular Emergence)
PYWISC	3.5mm platform (Wide Emergence)
PGNISC	4.5mm platform (Narrow Emergence)
PGRISC	4.5mm platform (Regular Emergence)
PGWISC	4.5mm platform (Wide Emergence)
PBNISC	5.7mm platform (Narrow Emergence)
PBRISC	5.7mm platform (Regular Emergence)



Use to make a closed-tray, implant-level, hexed-timed impression. Pre-assembled with a coping screw (PXSS). Titanium Alloy.

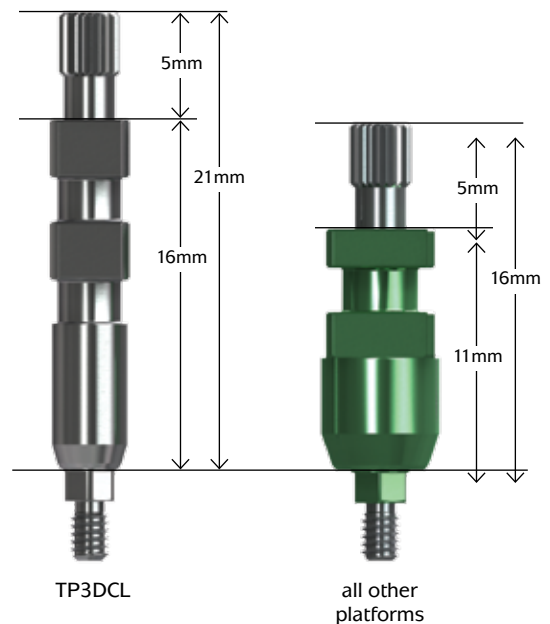


L02015-007 Closed tray technique using the indirect transfer coping module

L02015-008 Fabricating a custom impression coping using the closed tray technique module

Direct Pick-up Copings (Open Tray)

TP3DC	3.0mm platform, hexed (Regular Emergence)
TP3DCN	3.0mm platform, non-hexed (Regular Emergence)
TP3DCL	3.0mm platform, hexed, long (Regular Emergence)
PYND	3.5mm platform, hexed (Narrow Emergence)
PYNDN	3.5mm platform, non-hexed (Narrow Emergence)
PYRDC	3.5mm platform, hexed (Regular Emergence)
PYWDC	3.5mm platform, hexed (Wide Emergence)
PGNDC	4.5mm platform, hexed (Narrow Emergence)
PGNDCN	4.5mm platform, non-hexed (Narrow Emergence)
PGRDC	4.5mm platform, hexed (Regular Emergence)
PGWDC	4.5mm platform, hexed (Wide Emergence)
PBNDC	5.7mm platform, hexed (Narrow Emergence)
PBNDCN	5.7mm platform, non-hexed (Narrow Emergence)
PBRDC	5.7mm platform, hexed (Regular Emergence)



Use to make an open-tray, implant-level impression. Packaged with the direct coping screw, shallow hex (PXDCSS). Non-hexed versions may also be used to fabricate multiple-unit bars. Titanium Alloy. Hand-tighten.

Note: TP3DCL is packaged with the direct coping screw, long (PXDCSL).



L02015-005 Open tray technique using the direct pick-up coping module

L02015-006 Fabricating a custom impression coping using the open tray technique module

IMPRESSION COMPONENTS

Direct Coping Screws

PXDCSS Direct Coping Screw, Shallow Hex

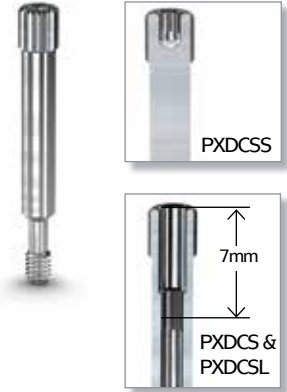
Packaged with all Direct Pick-up Copings, except 3.0mm platform, hexed, long (TP3DCL). Short hex depth for easy removal of impression material. May also be used to maintain the screw access hole during fabrication of a screw-retained provisional prostheses. Utilizes the .050" (1.25mm) Hex Driver. Hand-tighten or torque to 30 Ncm depending on application. Titanium Alloy.

PXDCS Direct Coping Screw

Includes a deeper hex that allows up to 7mm to be prepped without losing the hex engagement. May also be used in place of an abutment screw (PXAS) when extra length is needed, or to maintain the screw access hole during fabrication of a screw-retained provisional prostheses. Utilizes the .050" (1.25mm) Hex Driver. Hand-tighten or torque to 30 Ncm depending on application. Titanium Alloy.

PXDCSL Direct Coping Screw, Long

Packaged with 3.0mm platform, hexed, long (TP3DCL). PXDCSL has the same deep hex as the PXDCS and is 5mm longer than the PXDCS and the PXDCSS. May also be used in place of an abutment screw (PXAS) when extra length is needed, or to maintain the screw access hole during fabrication of a screw-retained provisional prostheses. Utilizes the .050" (1.25mm) Hex Driver. Hand-tighten or torque to 30 Ncm depending on application. Titanium Alloy.



Implant Analogs

TP3IA	3.0mm platform	TP3IA25	3.0mm platform (pack of 25)
PYIA	3.5mm platform	PYIA25	3.5mm platform (pack of 25)
PGIA	4.5mm platform	PGIA25	4.5mm platform (pack of 25)
PBIA	5.7mm platform	PBIA25	5.7mm platform (pack of 25)



Use in the lab to represent the implant in the working cast. Not intended for use with Simple Solutions components or tissue-level implants. Titanium Alloy.

Ball-top Screw for Indirect (Closed Tray) Transfer

PXBT Ball-top Screw for Indirect Transfer

Use with the 3inOne Abutment to form an impression coping for closed-tray, hexed-timed transfers. Hand-tighten. Titanium Alloy.



Abutment Screw

- PXAS** Abutment Screw
- PXAS25** Abutment Screw (pack of 25)

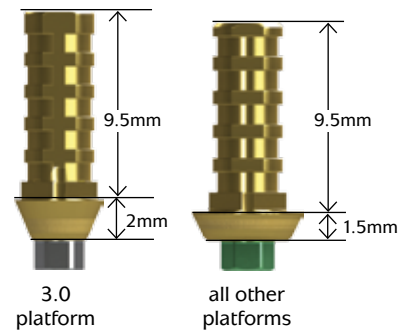
Fits all implant prosthetic platforms. Low profile screw head. Packaged with all two-piece abutments, except 3.0mm Custom Ti abutment and Angled Multi-unit abutments that are packaged with the PXMUAS. Utilizes the .050" (1.25mm) Hex Driver. Titanium Alloy. Final torque: 30 Ncm.



CUSTOM & CAD/CAM ABUTMENTS

Laser-Lok Easy Ti Abutments

TP3ETHL	3.0mm platform, hexed
PYETHL	3.5mm platform, hexed
PGETHL	4.5mm platform, hexed
PBETHL	5.7mm platform, hexed
TP3ETNL	3.0mm platform, non-hexed
PYETNL	3.5mm platform, non-hexed
PGETNL	4.5mm platform, non-hexed
PBETNL	5.7mm platform, non-hexed



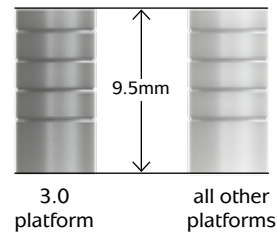
Use hexed abutments for single-unit, screw-retained or cement-retained, custom abutment restorations. Use non-hexed abutments for multiple unit, screw-retained restorations. When a Laser-Lok component is used and temporarily removed for impression making or other restorative procedures, keep the removed Laser-Lok component in sterile saline until reinserting into the site. Packaged with an abutment screw (PXAS). Titanium Alloy for strength. TiN coated for esthetics. Final torque: 30Ncm.



L02015-037 Screw-retained crown using the Laser-Lok Easy Ti abutment module

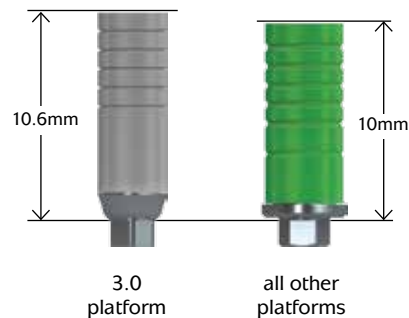
TP3ETS	3.0mm platform (pack of 3)
PXETS	3.5mm, 4.5mm & 5.7mm platform (pack of 3)

Use as a foundation to create a full contour wax-up for a lithium disilicate glass-ceramic pressed crown. Packaged in packs of three. Acetal resin (Delrin® or Pomalux®) sleeve.



Custom Castable (UCLA) Abutments

TP3CAH	3.0mm platform, hexed
PYCAH	3.5mm platform, hexed
PGCAH	4.5mm platform, hexed
PBCAH	5.7mm platform, hexed
TP3CAN	3.0mm platform, non-hexed
PYCAN	3.5mm platform, non-hexed
PGCAN	4.5mm platform, non-hexed
PBCAN	5.7mm platform, non-hexed



Use hexed abutments for single-unit, screw-retained or cement-retained, custom abutment restorations. Use non-hexed abutments for multiple-unit, screw-retained restorations. Packaged with an abutment screw (PXAS). Gold Alloy base with acetal resin (Delrin® or Pomalux®) sleeve. Color-coded by platform. Final torque: 30Ncm.



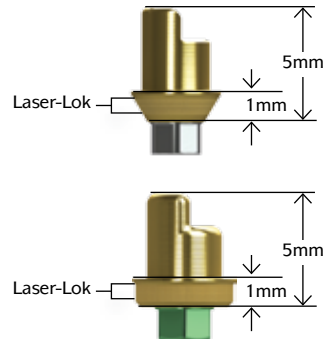
L02015-026 Screw-retained single crowns using custom-cast abutments module

L02015-027 Screw-retained bridge using custom-cast abutments module

CUSTOM & CAD/CAM ABUTMENTS

Titanium Base Abutments

	Laser-Lok	standard
3.0mm platform	TP3TBL	TP3TB
3.5mm platform	PYTBL	PYTB
4.5mm platform	PGTBL	PGTB
5.7mm platform	PBTBL	PBTB



Use for anterior cases that require a durable, highly esthetic solution. For single-unit, screw-retained or cement-retained, CAD/CAM hybrid zirconia restorations. When a Laser-Lok component is used and temporarily removed, keep the component in sterile saline until reinserting into the site. Packaged with an abutment screw (PXAS). Titanium Alloy for strength. TiN coated for esthetics. Final torque: 30Ncm. Note: TP3TBL and TP3TB have 3.0mm platform connections, but the margins flare to 3.5mm.



L02015-003 Handling of Laser-Lok abutments module

- PYTBWSI 3.0/3.5mm platform, indexed (pack of 3)
- PGTBWSI 4.5mm platform, indexed (pack of 3)
- PBTBWSI 5.7mm platform, indexed (pack of 3)



Use as a foundation to create a full contour wax-up for a lithium disilicate glass-ceramic pressed crown. Packaged in packs of three. Acetal resin (Delrin® or Pomalux®) sleeve.

Laser-Lok Protective Sleeves

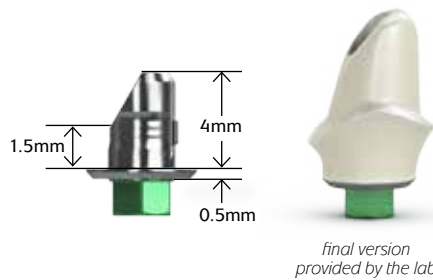
- TP3TBLS 3.0mm platform, Laser-Lok
- PYTBLS 3.5mm platform, Laser-Lok
- PGTBLS 4.5mm platform, Laser-Lok
- PBTBLS 5.7mm platform, Laser-Lok



Use to protect the Laser-Lok zone of Titanium Base Abutments and Custom Ti Abutments from possible contamination and damage during lab processing.

Hybrid Base Abutments

- TP3HYB* 3.0mm platform, hexed
- PYHYB* 3.5mm platform, hexed
- PGHYB* 4.5mm platform, hexed
- PBHYB* 5.7mm platform, hexed
- TP3HYBN* 3.0mm platform, non-hexed
- PYHYBN* 3.5mm platform, non-hexed
- PGHYBN* 4.5mm platform, non-hexed
- PBHYBN* 5.7mm platform, non-hexed



Note



Hybrid Base Abutments packaged with PXMUAS (light blue) abutment screw.

Use hexed abutments for single-unit, screw-retained or cement-retained, CAD/CAM hybrid zirconia restorations. Use non-hexed abutments for multiple unit, screw-retained CAD/CAM hybrid zirconia restorations. Packaged with an abutment screw (PXMUAS). Titanium Alloy for strength. Final torque: 30Ncm.

* Available in Q1 2017

CUSTOM & CAD/CAM ABUTMENTS

PEEK Scan Abutments

TP3PSA	3.0mm platform
PYPSA	3.5mm platform
PGPSA	4.5mm platform
PBPSA	5.7mm platform



Use for table top or intra-oral scanning. May also be used for fabrication of cement- or screw-retained provisional restorations (up to 30 days). Packaged with an abutment screw (PXAS). PEEK (PolyEtherEtherKetone) material. Final torque: 30Ncm.

Note: Prior to scanning, verify that the scan abutment is available in the library of the design software that will be used to design the abutment. Design libraries can be downloaded from www.vulcandental.com.



L02015-038 Custom (CAD/CAM) prosthetics overview module

Snap Scan Body

TP3SSB	3.0mm platform
PYSSB	3.5mm platform
PGSSB	4.5mm platform
PBSSB	5.7mm platform



Use for table top or intra-oral scanning. PEEK (PolyEtherEtherKetone) and Titanium Alloy material.

Note: Prior to scanning, verify that the scan abutment is available in the library of the design software that will be used to design the abutment. Design libraries can be downloaded from www.vulcandental.com.



L02015-038 Custom (CAD/CAM) prosthetics overview module



Custom Zirconia & Titanium Abutments for BioHorizons Implant Systems

- Titanium & hybrid zirconia abutments
- Custom implant abutment design
- Comprehensive services for traditional impressions & intra-oral scans
- Complete digital workflow solutions

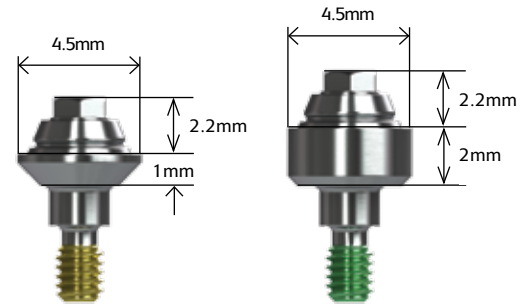


WWW.VULCANDENTAL.COM • 844.484.2301

MULTI-UNIT ABUTMENTS

Straight Multi-unit Abutments

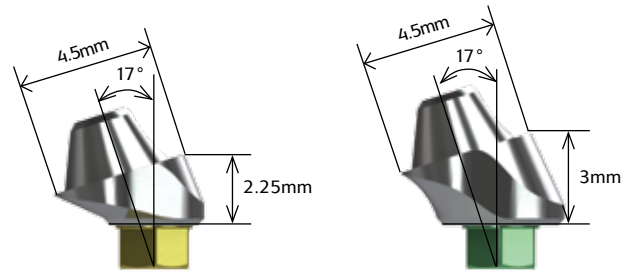
	1mm collar	2mm collar	3mm collar	4mm collar	5mm collar
3.0mm platform	TP3MU1	TP3MU2	TP3MU3	-	-
3.5mm platform	PYMU1	PYMU2	PYMU3	PYMU4	PYMU5
4.5mm platform	PGMU1	PGMU2	PGMU3	PGMU4	PGMU5
5.7mm platform	PBMU1	PBMU2	PBMU3	-	-



Straight Multi-unit abutments may be used for multiple-unit restorations including: screw-retained restorations at the abutment level, cast alloy bars for overdentures and fixed/detachable (hybrid) restorations. Comes with a cover cap (PXMUCC). Final torque: 30 Ncm using a Multi-unit Hex Adapter. Titanium alloy.

17° Angled Multi-unit Abutments

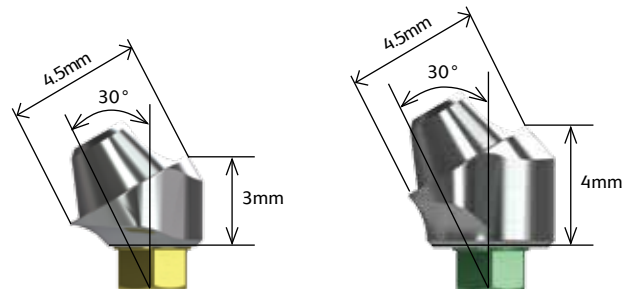
	2.25mm collar	3mm collar	4mm collar
3.0mm platform	TP3MU172	TP3MU173	-
3.5mm platform	PYMU172	PYMU173	PYMU174
4.5mm platform	PGMU172	PGMU173	PGMU174



17° Angled Multi-unit abutments may be used to angle-correct divergent implants. Use for multiple-unit restorations including: screw-retained restorations at the abutment level, cast alloy bars for overdentures and fixed/detachable (hybrid) restorations. Comes with a cover cap (PXMUCC) and abutment screw (PXMUAS). Final torque: 30 Ncm. Titanium alloy. Conveniently deliver abutment one-handed using an .050 hex or Unigrip™ driver or two-handed using an angled Multi-unit carrier (MUCA).

30° Angled Multi-unit Abutments

	3mm collar	4mm collar	5mm collar
3.0mm platform	TP3MU303	TP3MU304	-
3.5mm platform	PYMU303	PYMU304	PYMU305
4.5mm platform	PGMU303	PGMU304	PGMU305



30° Angled Multi-unit abutments may be used to angle-correct divergent implants. Use for multiple-unit restorations including: screw-retained restorations at the abutment level, cast alloy bars for overdentures and fixed/detachable (hybrid) restorations. Comes with a cover cap (PXMUCC) and abutment screw (PXMUAS). Final torque: 30 Ncm. Titanium alloy. Conveniently deliver abutment one-handed using an .050 hex or Unigrip™ driver or two-handed using an angled Multi-unit carrier (MUCA).



L02015-028 Multi-unit abutment hybrid or fixed-detachable-screw-retained restoration module

L02015-029 Multi-unit abutment bar overdenture - screw-retained restoration module

L02015-031 Correcting a non-passive framework module

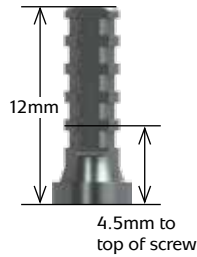
MULTI-UNIT COMPONENTS

Multi-unit Copings

PXMUTC

Titanium

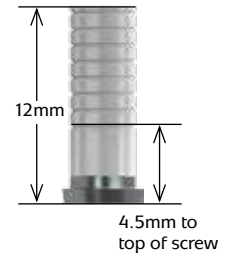
Use for fabricating acrylic temporary and final prostheses. May be trimmed for height. Packaged with prosthetic screw (PXMUPSR). Titanium alloy.



PXMUGC

Gold Custom Castable

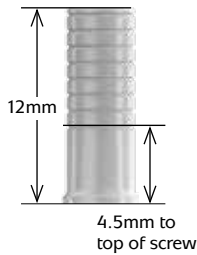
Use for fabricating metal-reinforced acrylic prostheses or bar overdentures. May be trimmed for height. Packaged with prosthetic screw (PXMUPSR). Coping has a gold alloy base with acetal resin (Delrin® or Pomalux®) sleeve.



PXMUPC

Plastic Custom Castable

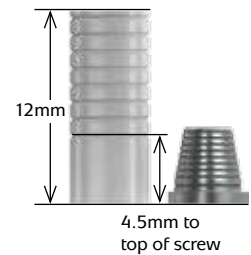
Use for fabricating metal-reinforced acrylic prostheses or bar overdentures. May be trimmed for height. Packaged with prosthetic screw (PXMUPSR). Acetal resin (Delrin® or Pomalux®)



PXMUPFC

Passive Fit

Use for fabricating metal-reinforced acrylic prostheses or bar overdentures, cemented using the passive-fit technique. May be trimmed for height. Packaged with regular and long prosthetic screws (PXMUPSR, PXMUPSL). Coping has a titanium alloy base with acetal resin (Delrin® or Pomalux®) sleeve.



Multi-unit Locators®

LMUTC-2 Locator Multi-unit Abutment w/ Ti Collar (2 pack)

LMUTC-10 Locator Multi-unit Abutment w/ Ti Collar (10 pack)

Use Male Processing Package for these collars (LMPP-2 or LMPP-10).

LMUDC-2 Locator Multi-unit Abutment w/ Delrin® Collar (2 pack)

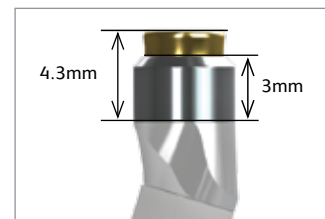
LMUDC-10 Locator Multi-unit Abutment w/ Delrin® Collar (10 pack)

Use Locator Multi-unit Bar Processing Package listed below for these collars.



Abutment w/
Ti Collar

Abutment w/
Delrin® Collar



LMUBPP-2 Locator Multi-unit Bar Processing Package (2 pack)

LMUBPP-10 Locator Multi-unit Bar Processing Package (10 pack)



Locator attachments for multi-unit abutments have been designed as a free-standing option (LMUTC) for the angled multi-unit posterior sites and for castable bar-splinted applications (LMUDC). The Locator Multi-unit Bar Processing Package includes Denture Cap with Yellow Bar Processing Male, Dual Retentive Replacement Males: Clear, Pink, Blue, and Block-Out Spacer. Offered in 2 packs and 10 packs. For complete instructions, visit the Zest Anchors web site.

MULTI-UNIT COMPONENTS

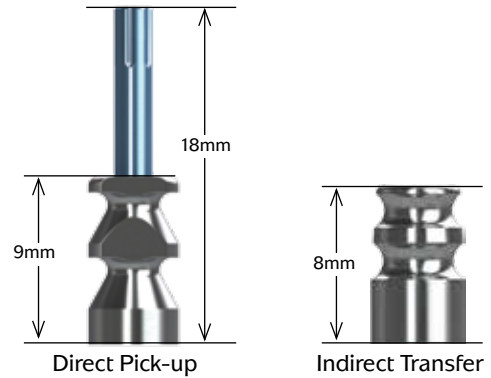
Multi-unit Impression Copings

PXMUDC Direct Pick-up Coping, Multi-unit

Use to make a direct pick-up impression (open-tray) at the abutment level. Packaged with a prosthetic screw, long (PXMUPSL). Titanium alloy. Hand tighten.

PXMUIC Indirect Transfer Coping, Multi-unit

Use to make an indirect transfer (closed-tray) impression at the abutment level. Titanium alloy. Hand tighten.



L02015-010 Multi-unit abutment impression technique - direct open tray module

L02015-011 Multi-unit abutment impression technique - closed tray module

L02015-030 Verification jig fabrication module

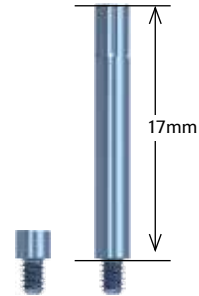
Multi-unit Coping Screws

PXMUPSR Prosthetic Screw, Multi-unit, Regular (pack of 5)

PXMUPSL Prosthetic Screw, Multi-unit, Long (pack of 5)

PXMUPSR25 Prosthetic Screw, Multi-unit, Regular (pack of 25)

For attaching copings to the Multi-unit abutments. Hand-tighten or torque to 15 Ncm with .050" (1.25mm) Hex Driver or Unigrip™ screw driver, depending on application. Titanium alloy. Included with copings where indicated but can also be ordered separately.



Multi-unit Angled Abutment Screw & Abutment Carrier

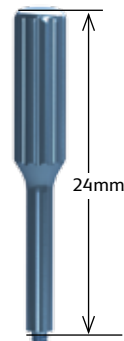
PXMUAS Abutment Screw, Multi-unit

PXMUAS25 Abutment Screw, Multi-unit (pack of 25)

For angled Multi-unit abutments only. Final torque: 30 Ncm with .050" (1.25mm) Hex Driver or Unigrip™ screw driver. Titanium alloy. Included with abutment but can also be ordered separately.

MUCA Angled Multi-unit Abutment Carrier (pack of 3)

Use to deliver angled Multi-unit abutments to the surgical site. Titanium alloy.



MULTI-UNIT COMPONENTS

Multi-unit Cover Cap

PXMUCC Cover Cap, Multi-unit

Packaged with all Multi-unit abutments. Hand-tighten with .050" (1.25mm) Hex Driver or Unigrip™ screw driver. Titanium alloy.



Multi-unit Abutment Replica & Protection Analog

PXMUAR Abutment Replica, Multi-unit

Use at lab to represent the Multi-unit/Implant assembly in the working cast. Not for use with implant-level impressions. Titanium alloy.



PXMUPA Protection Analog, Multi-unit (pack of 5)

Use to protect abutment-coping interface when polishing the metal framework. Titanium alloy.



Multi-unit Try-in Abutments

TRYTP3MU 3.0mm Multi-unit Try-in Straight Abutment

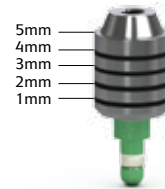
TRYPYMU 3.5mm Multi-unit Try-in Straight Abutment

TRYPGMU 4.5mm Multi-unit Try-in Straight Abutment

TRYPBMU 5.7mm Multi-unit Try-in Straight Abutment

Multi-unit Try-in Abutments may be used to measure tissue thickness and verify proper prosthetic seating prior to final abutment seating.

Each Try-in is laser marked from 1mm to 5mm to correspond with the Straight Multi-unit Abutment collar heights and can also be used as a measuring tool for OD Secure, Locator, Locator R-Tx and Ball abutment systems. Try-in is carried to the site by the handle and snaps into the implant.



Straight abutment
Laser marking

TRYTP3MU17 3.0mm Multi-unit Try-in 17° Angled Abutment

TRYPYMU17 3.5mm Multi-unit Try-in 17° Angled Abutment

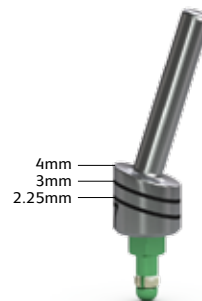
TRYPGMU17 4.5mm Multi-unit Try-in 17° Angled Abutment

TRYTP3MU30 3.0mm Multi-unit Try-in 30° Angled Abutment

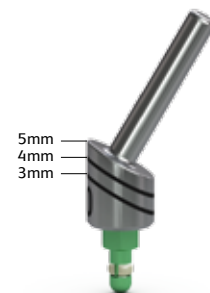
TRYPYMU30 3.5mm Multi-unit Try-in 30° Angled Abutment

TRYPGMU30 4.5mm Multi-unit Try-in 30° Angled Abutment

Each Try-in is laser marked to correspond with the Angled Multi-unit Abutment collar heights. Try-in is carried to the site by the handle and snaps into the implant.



17° Angled Abutment
Laser marking



30° Angled Abutment
Laser marking

MULTI-UNIT COMPONENTS

Multi-unit Hex Adapters for Straight Abutments

PXMUHAM Manual Multi-unit Hex Adapter

Use to hand tighten straight Multi-unit abutments.

PXMUHAH Handpiece Multi-unit Hex Adapter

Use to torque straight Multi-unit abutments. Driven by latch-type handpiece. Do not exceed 30 Ncm.

PXMUHAR 4mm Square Multi-unit Hex Adapter

Use to torque straight Multi-unit abutments. Driven by 4mm square drive handwrench, ratchet, or torque wrench. Do not exceed 30 Ncm.



Manual



Handpiece



4mm Square

Paralleling Pins

144-100 Straight Parallel Pins

144-200 20° Angled Parallel Pin

144-230 30° Angled Parallel Pin

Use parallel pins to assess implant angulation and estimate which angled abutment is appropriate for the restoration.



TeethXpress®

Multi-unit abutments are featured in the TeethXpress immediate load full arch restoration protocol.

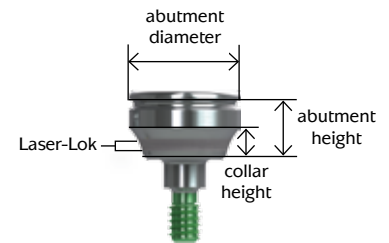
See L01021 TeethXpress Technique Guide for more information.



SIMPLE SOLUTIONS ABUTMENTS

Laser-Lok Simple Solutions Healing Abutments

	abutment diameter	2mm height (0.8mm collar)	3mm height (1.8mm collar)	3.5mm height (2.8mm collar)
3.5mm platform, Laser-Lok	5.0mm	PYHA08L	PYHA18L	PYHA28L
4.5mm platform, Laser-Lok	6.0mm	PGHA08L	PGHA18L	PGHA28L
5.7mm platform, Laser-Lok	7.0mm	PBHA08L	PBHA18L	PBHA28L



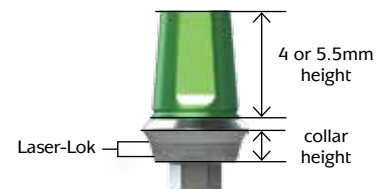
Use Laser-Lok Simple Solutions healing abutments when a Simple Solutions abutment restoration is planned to inhibit epithelial downgrowth, establish a soft tissue seal and protect the bone. A Simple Solutions restoration avoids having to remove and replace the abutment to take an impression. The snap cap, closed tray impression transfer, connects to the final abutment. See L01017 or L02007 for more information. Hand-tighten with the .050" (1.25mm) Hex Driver. Titanium Alloy.



Laser marked for easy intraoral identification; for example: GS1.8L = Green (4.5mm) platform / Simple Solutions / 1.8mm collar / Laser-Lok

Laser-Lok Simple Solutions Abutment Packs

	0.8mm collar	1.8mm collar	2.8mm collar
3.5mm platform, 4mm height	PY4008L	PY4018L	PY4028L
3.5mm platform, 5.5mm height	PY5508L	PY5518L	PY5528L
4.5mm platform, 4mm height	PG4008L	PG4018L	PG4028L
4.5mm platform, 5.5mm height	PG5508L	PG5518L	PG5528L
5.7mm platform, 4mm height	PB4008L	PB4018L	PB4028L
5.7mm platform, 5.5mm height	PB5508L	PB5518L	PB5528L



Designed primarily for posterior restorations when abutment modification is not required. Packaged with an abutment screw (PXAS) and Healing Cap that can serve as a temporary. Titanium Alloy. Final torque: 30Ncm.

Simple Solutions Restorative Packs

SYRP40	3.5mm platform, 4mm height
SYRP55	3.5mm platform, 5.5mm height
SGRP40	4.5mm platform, 4mm height
SGRP55	4.5mm platform, 5.5mm height
SBRP40	5.7mm platform, 4mm height
SBRP55	5.7mm platform, 5.5mm height



Conveniently includes the impression and lab components needed to restore a Simple Solutions abutment. Includes a snap cap impression transfer, one crown waxing sleeve, one bridge waxing sleeve and an implant/abutment replica for the working cast.



L02015-012 Simple Solutions snap-cap impression technique module

SIMPLE SOLUTIONS LAB COMPONENTS

Simple Solutions Impression/Scan Body Cap

SYPIC40	3.5mm platform, 4mm height
SYPIC55	3.5mm platform, 5.5mm height
SGPIC40	4.5mm platform, 4mm height
SGPIC55	4.5mm platform, 5.5mm height
SBPIC40	5.7mm platform, 4mm height
SBPIC55	5.7mm platform, 5.5mm height



Use for traditional or digital impression taking.

Note: Prior to scanning, verify that the scan cap is available in the library of the design software that will be used to design the restoration. Design libraries can be downloaded from www.vulcandental.com.

Simple Solutions Replicas

SYR40	3.5mm platform, 4mm height
SYR55	3.5mm platform, 5.5mm height
SGR40	4.5mm platform, 4mm height
SGR55	4.5mm platform, 5.5mm height
SBR40	5.7mm platform, 4mm height
SBR55	5.7mm platform, 5.5mm height



Use in the lab to represent the implant and Simple Solutions abutment in the working cast. Select platform diameter and abutment height to match the abutment. Titanium Alloy. Included in Simple Solutions Restorative Packs, but can also be ordered separately.

Simple Solutions Waxing Sleeves

SYPWSC	3.5mm platform, Crown (single unit)
SGPWSC	4.5mm platform, Crown (single unit)
SBPWSC	5.7mm platform, Crown (single unit)
SYPWSB	3.5mm platform, Bridge (multi-unit)
SGPWSB	4.5mm platform, Bridge (multi-unit)
SBPWSB	5.7mm platform, Bridge (multi-unit)



single-unit



multi-unit

The Waxing Sleeve for Crown has internal anti-rotation flats to engage the abutment/replica flats. The Waxing Sleeve for Bridge has no anti-rotational feature and may only be used for multi-units. Order by platform diameter. Trim for height. Burn-out plastic. Included in Simple Solutions Restorative Packs but can also be ordered separately.

Simple Solutions Replica Lab Tools

SYRLT	3.5mm platform
SGRLT	4.5mm platform
SBRLT	5.7mm platform

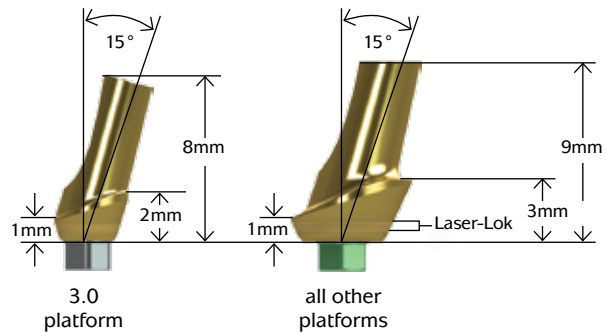


Use to create burn-out copings without use of the Waxing Sleeves. The double-ended tools (4.0mm / 5.5mm abutment height) mimic the geometry of Simple Solutions Replicas including the anti-rotation flats, but WITHOUT the retentive snap feature. Castings made from copings fabricated on the Replica Lab Tools do not require use of the Casting Reamers.

ESTHETIC & CEMENTABLE ABUTMENTS

Angled Esthetic Abutments

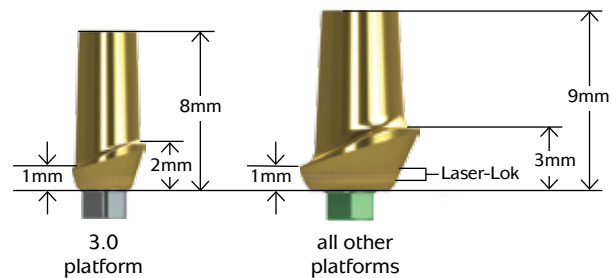
	Laser-Lok	standard
3.0mm platform	TP3AEAL	TP3AEA
3.5mm platform	PYAEAL	PYAEA
4.5mm platform	PGAEAL	PGAEA
5.7mm platform	PBAEAL	PBAEA





Use to create a cement-retained, single- or multiple-unit prostheses. When a Laser-Lok component is used and temporarily removed, keep the component in sterile saline until reinserting into the site. Packaged with an abutment screw (PXAS). Titanium Alloy. TiN coated for esthetics. Final torque: 30Ncm.

Straight Esthetic Abutments

	Laser-Lok	standard
3.0mm platform	TP3SEAL	TP3SEA
3.5mm platform	PYSEAL	PYSEA
4.5mm platform	PGSEAL	PGSEA
5.7mm platform	PBSEAL	PBSEA

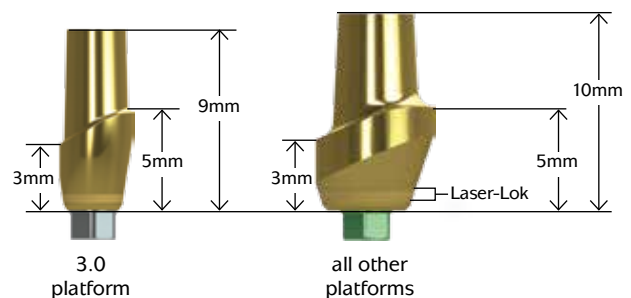


Use to fabricate cement-retained, single- or multiple-unit prostheses. When a Laser-Lok component is used and temporarily removed, keep the component in sterile saline until reinserting into the site. Packaged with an abutment screw (PXAS). Titanium Alloy. TiN coated for esthetics. Final torque: 30Ncm.



-  L02015-023 Cement-retained single crowns using cementable abutments module
-  L02015-025 Chairside modification of cement-retained abutments module

Straight Esthetic Abutments (3mm buccal height)

	Laser-Lok	standard
3.0mm platform	TP3SEA3L	TP3SEA3
3.0mm platform	TP3WSEA3L (wide)	TP3WSEA3 (wide)
3.5mm platform	PYSEA3L	PYSEA3
4.5mm platform	PGSEA3L	PGSEA3
5.7mm platform	PBSEA3L	PBSEA3



Use to fabricate cement-retained, single- or multiple-unit prostheses when a deep gingival sulcus is present. When a Laser-Lok component is used and temporarily removed, keep the component in sterile saline until reinserting into the site. Packaged with an abutment screw (PXAS). Titanium Alloy. TiN coated for esthetics. Final torque: 30Ncm.

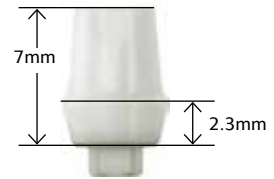
-  L02015-023 Cement-retained single crowns using cementable abutments module
-  L02015-025 Chairside modification of cement-retained abutments module

ESTHETIC & CEMENTABLE ABUTMENTS

Ceramic Abutments (Regular Emergence)

- PYRCA** 3.5mm platform
- PGRCA** 4.5mm platform
- PBRCA** 5.7mm platform

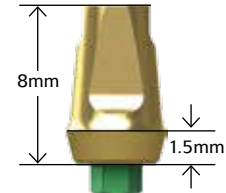
Use to fabricate cement-retained, single- or multiple-unit prostheses. Indicated for anterior, esthetic zone. Packaged with an abutment screw (PXAS), Yttria-stabilized Zirconia. Final torque: 30Ncm.



3inOne Abutments (Regular Emergence)

- PYREA** 3.5mm platform
- PGREA** 4.5mm platform
- PBREA** 5.7mm platform

Use to fabricate cement-retained, single- or multiple-unit prostheses. Also used with a Ball-top Screw for a closed-tray, hex-timed transfer. Packaged with an abutment screw (PXAS). Titanium Alloy. TiN coated for esthetics. Final torque: 30Ncm.

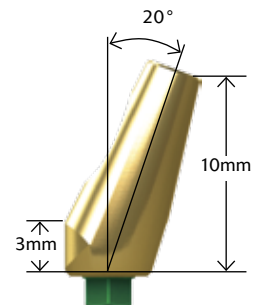


 **L02015-024** Cement-retained bridge using cementable abutments module

Angled Abutments (Regular Emergence)

- PYRAA** 3.5mm platform
- PGRAA** 4.5mm platform
- PBRAA** 5.7mm platform

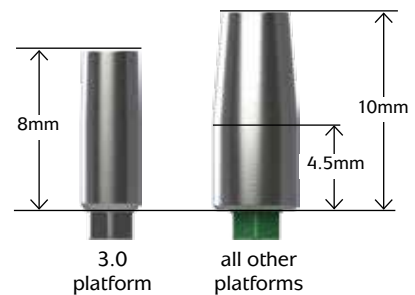
Use to fabricate cement-retained, single- or multiple-unit prostheses. Packaged with an abutment screw (PXAS). Titanium Alloy. TiN coated for esthetics. Final torque: 30Ncm.



Narrow Emergence Abutments

- TP3SA** 3.0mm platform
- PYNEA** 3.5mm platform
- PGNEA** 4.5mm platform
- PBNEA** 5.7mm platform

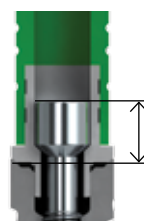
Use to fabricate cement-retained, single- or multiple-unit prostheses. Packaged with an abutment screw (PXAS). Titanium Alloy. Final torque: 30Ncm.



Note

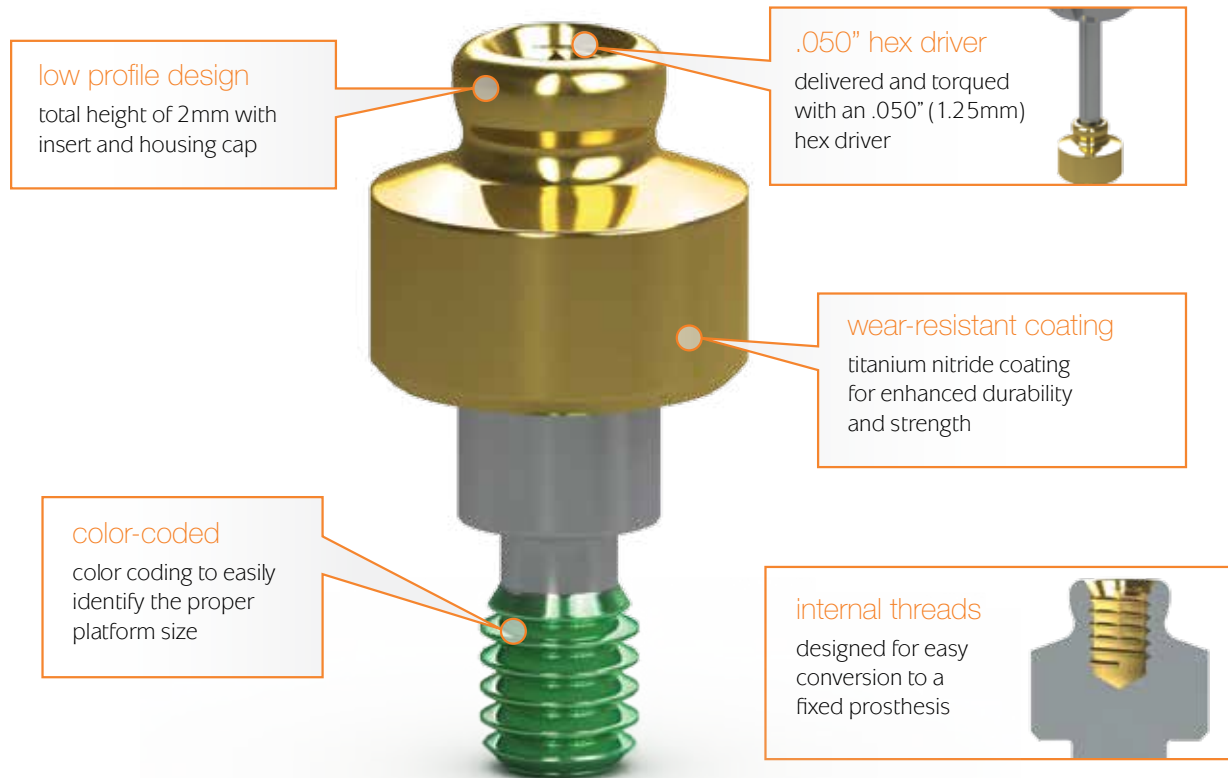


For cement-retained restorations, maintain at least 4mm of chimney height from the margin for optimal cement retention.

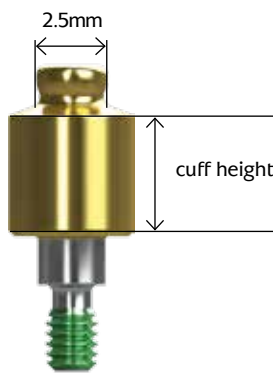


For screw-retained restorations, maintain at least 3mm from the abutment platform to avoid damaging the abutment screw.

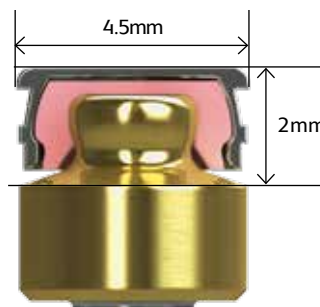
The OD Secure abutment uses the industry's lowest profile connection to attach dentures and partial dentures to dental implants. The abutment is designed for easy delivery using an .050" hex driver and is color-coded to ensure that the abutment matches the implant platform every time.



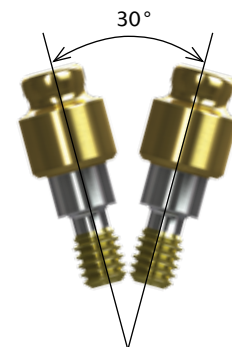
With cuff heights ranging from 0.5mm to 6mm, the OD Secure provides attachment solutions for even the most challenging cases.



Available in cuff heights from 0.5mm to 6mm



Low profile connection for additional restorative space



Corrects up to 30° of divergence between implants

OD SECURE ABUTMENTS & COMPONENTS

OD Secure Abutment System

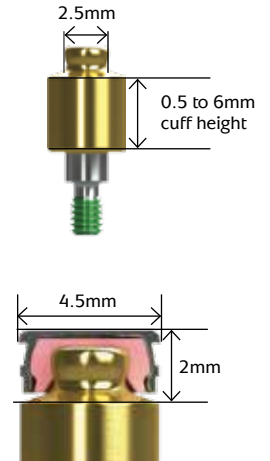
The OD Secure comes packaged with the abutment, metal housing, four retentive inserts, a lab processing insert and a protection disk.



- L02015-040 OD Secure impression technique module
- L02015-041 OD Secure chairside pick-up using existing denture module



	3.0mm platform	3.5mm platform	4.5mm platform	5.7mm platform
0.5mm cuff height	TP3ODSK0	PYODSK0	PGODSK0	PBODSK0
1mm cuff height	TP3ODSK1	PYODSK1	PGODSK1	PBODSK1
2mm cuff height	TP3ODSK2	PYODSK2	PGODSK2	PBODSK2
3mm cuff height	TP3ODSK3	PYODSK3	PGODSK3	PBODSK3
4mm cuff height	TP3ODSK4	PYODSK4	PGODSK4	PBODSK4
5mm cuff height	TP3ODSK5	PYODSK5	PGODSK5	PBODSK5
6mm cuff height	TP3ODSK6	PYODSK6	PGODSK6	PBODSK6



OD Secure Abutment Components

ODSRC-V Retention Cap Insert (4pack)
Retention: 6lbs - Hard



ODSRC-Y Retention Cap Insert (4pack)
Retention: 1.5lbs - Extra Soft



ODSRC-C Retention Cap Insert (4pack)
Retention: 4lbs - Medium



ODSRC-P Retention Cap Insert (4pack)
Retention: 2.5lbs - Soft



ODS-PM Lab Processing Insert (4pack)



ODS-HC Housing Cap (2pack)



ODS-BS Block-out Spacer (4pack)



ODSA OD Secure Analog (2pack)



ODSIC Impression Coping (2pack)



ODSCM Castable Male (2pack)



ODSCET Cap Extractor Tool



ODSCIT Cap Insert Tool



ODSCT* Cap Insert/Extractor Tool

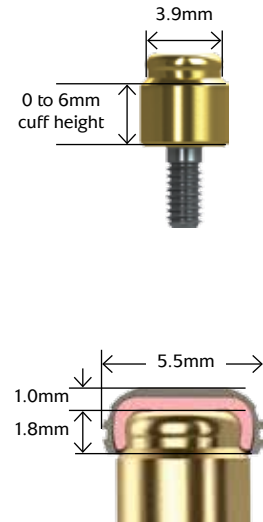


* Available in Q1 2017

LOCATOR ABUTMENTS

Locator Abutments

	3.0mm platform	3.5mm platform	4.5mm platform	5.7mm platform
0mm cuff height	not available	PYLA0	PGLA0	not available
1mm cuff height	TP3LA1	PYLA1	PGLA1	PBLA1
2mm cuff height	TP3LA2	PYLA2 (2.5mm)	PGLA2	PBLA2
3mm cuff height	TP3LA3	PYLA3 (3.5mm)	PGLA3	PBLA3
4mm cuff height	TP3LA4	PYLA4 (4.5mm)	PGLA4	PBLA4
5mm cuff height	TP3LA5	PYLA5 (5.5mm)	PGLA5	PBLA5
6mm cuff height	TP3LA6	PYLA6 (6.5mm)	PGLA6	PBLA46



Locator Implant Attachments are designed for use with overdentures or partial dentures retained in whole or in part by dental implants in the mandible or maxilla. Order by cuff height to match the height of the gingival tissue. The abutment will extend above the tissue by 1.8mm to allow the Locator Male to seat completely. Order one Locator Male Processing Set for each Locator Abutment (sold in packs of 2 or 10). Can also be used with tissue-level implants. Titanium Alloy.

The Male Processing Package provides 3 choices of retention. The Replacement Males (clear, pink and blue) are used to restore implants with up to 10° of divergence (20° between implants). The Extended Range Replacement Males (green and red) accommodate divergences from 10° and 20° (40° between implants), and may be purchased separately.



L02015-013 Locator® abutment impression technique module

L02015-032 Locator® abutment overdenture: chairside pickup using existing denture

Locator Components

LCT Core Tool

Multi-purpose tool serves as hand driver for seating Locator Abutments onto the implants, seating tool for nylon male inserts and insert removal tool.

Note: now packaged with one Locator Abutment Holder Sleeve.



LAHS Locator Abutment Holder Sleeve (4 pack)

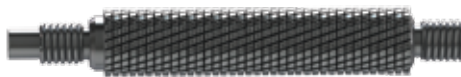
Use to retain and deliver the Locator Abutment using the driver portion of the Core Tool.



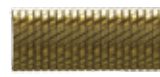
Locator core tool instructions



Male retention insert removal tool
For removing the male retention inserts from the metal housing



Male retention insert tool
For placing the male retention inserts into the metal housing



Hand driver
For hand tightening the Locator abutment



Locator abutment holder
For retaining and delivering the Locator abutment using the hand driver portion of the core tool.

LOCATOR COMPONENTS

Locator Components

LMPP-2 Male Processing Package (2 pack)
Includes: (2) Denture Caps assembled with Black Processing Males; (2) White Block-out Spacers; (2) Clear, (2) Pink and (2) Blue Nylon Males.



LMPP-10 Male Processing Package (10 pack)
Includes: (10) Denture Caps assembled with Black Processing Males; (10) White Block-out Spacers; (10) Clear, (10) Pink and (10) Blue Nylon Males.

LMPPER-2 Male Processing Package, Extended Range (2 pack)
Includes: (2) Denture Caps assembled with Black Processing Males; (2) White Block-out Spacers; (2) Green, (2) Orange and (2) Red Nylon Males.



LMPPER-10 Male Processing Package, Extended Range (10 pack)
Includes: (10) Denture Caps assembled with Black Processing Males; (10) White Block-out Spacers; (10) Green, (10) Orange and (10) Red Nylon Males.

LRM-G Extended Range Replacement Male (green)
Retention: 4lbs, 4 pack



LRM-C Replacement Male (clear)
Retention: 5lb, 4 pack



LRM-O Extended Range Replacement Male (orange)
Retention: 2lbs, 4 pack



LRM-P Replacement Male (pink)
Retention: 3lb, 4 pack



LRM-R Extended Range Retention Replacement Male (red)
Retention: 1lb, 4 pack



LRM-B Replacement Male (blue)
Retention: 1.5lb, 4 pack



LRM-Z Extended Range Replacement Male (gray)
Retention: 0lb, 4 pack



LBPRM Black Processing Replacement Male



LFA-4MM Female Analog 4mm (4 pack)
Use for 3.0, 3.5 and 4.5 platforms



LSDT-15MM Square Drive Tool (15mm length)
Use with a torque wrench to seat Locator Abutments.



LFA-5MM Female Analog 5mm (4 pack)
Use for 5.7 platform

LSDT-21MM Square Drive Tool (21mm length)
Use with a torque wrench to seat Locator Abutments.

LIC Impression Coping (4 pack)



LPP Parallel Post (4 pack)



LAMG Angle Measurement Guide



LOCATOR R-TX ABUTMENTS

Locator R-Tx Abutments

Locator R-Tx is a better, simpler and stronger system that relies on the same restorative techniques as the original Locator. Now available with the housing cap, spacer and retentive inserts for a convenient all-in-one package.

Each Assembly includes: (1) Abutment, (1) Denture Attachment Housing with Black Processing Insert, (4) Nylon Retention Inserts, and (1) Block-out Spacer.



	3.0mm platform	3.5mm platform	4.5mm platform	5.7mm platform
0.5mm cuff height	not available	PYLRTX0	PGLRTX0	not available
1mm cuff height	TP3LRTX1	PYLRTX1	PGLRTX1	PBLRTX1
2mm cuff height	TP3LRTX2	PYLRTX2	PGLRTX2	PBLRTX2
3mm cuff height	TP3LRTX3	PYLRTX3	PGLRTX3	PBLRTX3
4mm cuff height	TP3LRTX4	PYLRTX4	PGLRTX4	PBLRTX4
5mm cuff height	TP3LRTX5	PYLRTX5	PGLRTX5	PBLRTX5
6mm cuff height	TP3LRTX6	PYLRTX6	PGLRTX6	PBLRTX6

Locator R-Tx Components

LRTX-G Zero Retention Insert Replacement (4pack)



LRTX-PM Processing Insert Replacement (4pack)



LRTX-B Low Retention Insert Replacement (4pack)



LRTX-PS Processing Spacer Replacement (4pack)



LRTX-P Medium Retention Insert Replacement (4pack)



LRTX-IC Impression Coping (4pack)



LRTX-C High Retention Insert Replacement (4pack)



LRTX-A3 3.5mm Abutment Analog (4pack)



LRTX-BS Block-Out Spacer Replacement (20pack)



LRTX-A4 4mm Abutment Analog (4pack)



LRTX-DC Denture Attachment Processing Assembly (4pack)



LRTX-A5 5mm Abutment Analog (4pack)



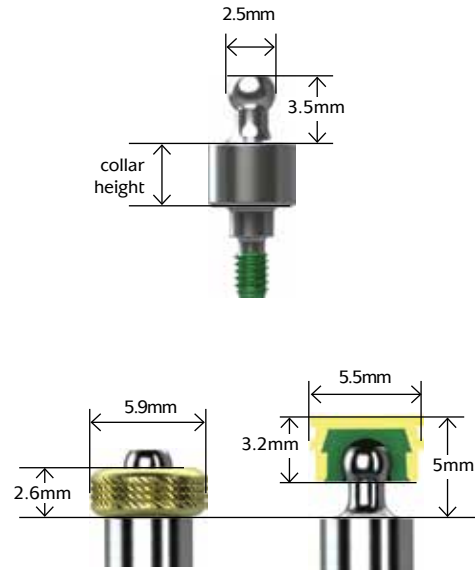
LRTX-TL Locator R-Tx Insertion/Removal Tool



BALL ABUTMENTS

Ball Abutments

TP3BA1	3.0mm platform, 1mm collar height
TP3BA3	3.0mm platform, 3mm collar height
TP3BA5	3.0mm platform, 5mm collar height
PYBA1	3.5mm platform, 1mm collar height
PYBA3	3.5mm platform, 3mm collar height
PYBA5	3.5mm platform, 5mm collar height
PGBA1	4.5mm platform, 1mm collar height
PGBA3	4.5mm platform, 3mm collar height
PGBA5	4.5mm platform, 5mm collar height
PBBA1	5.7mm platform, 1mm collar height
PBBA3	5.7mm platform, 3mm collar height



Sizing comparison of O-ring Attachment and Ball Attachment

Use for retention of tissue-supported overdentures. Ball Abutments may be used for indirect transfer impressions. Ball Abutment Analogs on facing page are used for producing a working cast. Can also be used with tissue-level implants. Titanium Alloy.



- L02015-014** Ball abutment impression technique
- L02015-033** Ball abutment overdenture: chairside pickup using existing denture

O-ring Attachment Set

260-100 O-ring Attachment Set

Standard O-ring attachment for processing into denture. Includes: (1) O-ring encapsulator, (2) Processing O-rings and (2) Clinical O-rings. Recommended for relatively parallel implants (5° of divergence or 10° between implants).



O-ring Individual Components

260-300 O-ring Encapsulator

Female receptacle processed into denture. Titanium. 2 per package.



260-220 Processing O-ring

Use for lab processing applications. Buna. 12 per package.



260-210 Clinical O-ring

Use for clinical applications. Silicone. 12 per package.



BALL ABUTMENT COMPONENTS

Ball Attachment Set

BCAS Ball Attachment Set

Includes: (1) Titanium Housing, (3) Female Nylon Inserts - white (more retention), pink (less retention), black (lab processing) and (1) Protective Disk (BCPD, protects tissue during impression making or denture pick-up)



The Ball Attachment system offers several advantages over traditional O-ring attachments:

- Greater abutment angulation (14° of divergence or 28° between implants)
- 0.4mm of less mesial/distal/buccal/lingual space
- Four different levels of retention instead of one

Ball Abutment Components

BCAHT Attachment Housings - Titanium
For Resin pickup or Soldering.
2 per package.



BCIY Yellow Nylon Insert
Clinical use. 2 per package.
Very elastic retention: 500-550g



BCIB Black Nylon Insert
Lab Processing and Chair-side
Denture Pick-up. 2 per package.



BCIP Pink Nylon Insert
Clinical use. 2 per package.
Elastic retention: 800-950g



BCIG Green Nylon Insert
Clinical use. 2 per package.
Extremely elastic retention.



BCIW White Nylon Insert
Clinical use. 2 per package.
Slightly elastic retention: 1200-1300g



BCIST Insert Seating Tool
Use to seat nylon inserts in attachment housings.



BCDR Directional Rings
Use for obtaining parallelism. 0°
7° and 14° rings. Set of 3.



BCR Reamer
Use to adjust retention of nylon inserts.



Ball Abutment Analogs

- TP3BAA 3.0mm Ball Abutment Analog**
- PYGBAA 3.5/4.5mm Ball Abutment Analog**
- PBBAA 5.7mm Ball Abutment Analog**

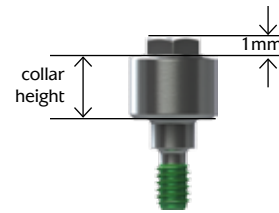
Use at lab to represent the Ball Abutment/Implant assembly in the working cast. Only use in conjunction with Ball Abutments. Titanium Alloy.



ABUTMENT FOR SCREW

Straight Abutment for Screw - Non-hexed

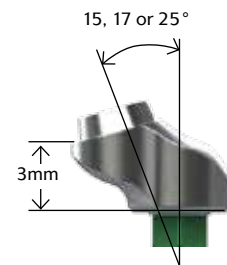
PYAFS1	3.5mm platform, 1mm collar height
PYAFS3	3.5mm platform, 3mm collar height
PYAFS5	3.5mm platform, 5mm collar height
PGAFS1	4.5mm platform, 1mm collar height
PGAFS3	4.5mm platform, 3mm collar height
PGAFS5	4.5mm platform, 5mm collar height
PBAFS1	5.7mm platform, 1mm collar height
PBAFS3	5.7mm platform, 3mm collar height



Use for multiple-unit restorations including: screw-retained restorations at the abutment level, cast alloy bars for overdentures and fixed/detachable (hybrid) restorations. Comes packaged with a cover cap (PXABCC). Final torque: 30Ncm. Can also be used with tissue-level implants. Titanium Alloy.

Angled Abutment for Screw - Hexed

PYAFS17	3.5mm platform, 17 degree
PGAFS15	4.5mm platform, 15 degree
PGAFS25	4.5mm platform, 25 degree
PBAFS15	5.7mm platform, 15 degree



Comes packaged with a cover cap (PXABCC) and abutment screw (PXAS). Final torque: 30Ncm. Can also be used with tissue-level implants. Titanium Alloy.

Non-hexed Copings, Abutment for Screw

PXABGC Gold Coping, Abutment for Screw

May be trimmed for height. Packaged with one Screw (regular), Abutment for Screw (see PXABS). Gold Alloy base with Delrin® sleeve.



PXABPC Plastic Coping, Abutment for Screw

May be trimmed for height. Packaged with one Screw (regular), Abutment for Screw (see PXABS). Delrin® sleeve.



Instant Fixed Overdenture Coping - Non-hexed

PXIFO Instant Fixed Overdenture Coping

Use with Abutments for Screw for fabrication of immediate provisional overdentures. See Fixed Provisional Overdenture Technique (L0155) for more details. Packaged with one Screw (regular), Abutment for Screw (see PXABS). Abutment height is 9mm. Final torque: 30Ncm. Titanium Alloy.



Cover Cap, Abutment for Screw

PXABCC Cover Cap, Abutment for Screw

Packaged with all Abutments for Screw. Hand-tighten with .050" (1.25mm) Hex Driver. Titanium Alloy.



ABUTMENT FOR SCREW

Hex Adapter, Abutment for Screw

PXHA * Hex Adapter, Abutment for Screw

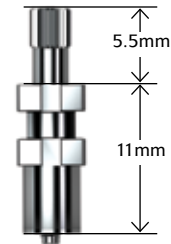
Use to place Abutment for Screw. May be driven by either Hand Wrench, Torque Wrench or AS123 Hand Unit.



Direct Pick-up Coping, Abutment for Screw

PXABDC Direct Pick-up Coping, Abutment for Screw

Use to make a direct pick-up impression (open-tray) at the abutment level. Packaged with the Screw (long), Abutment for Screw (PXABSL). Use only with Abutment for Screw. Titanium Alloy.



Indirect Transfer Coping, Abutment for Screw

PXABIC Indirect Transfer Coping, Abutment for Screw

Use to make an indirect transfer (closed-tray) impression at the abutment level. Use only with Abutment for Screw. Titanium Alloy.



Analog, Abutment for Screw

PXABA Analog, Abutment for Screw

Use at lab to represent the Abutment for Screw/Implant assembly in the working cast. Not for use with implant-level impressions.



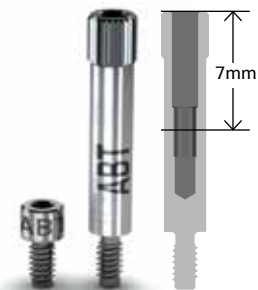
Screw (regular or long), Abutment for Screw

PXABS Screw (regular), Abutment for Screw (5 pack)

Use to retain bars or prostheses fabricated with the Abutment for Screw Copings. Utilizes the .050" (1.25mm) Hex Driver. Final torque: 30 Ncm. Titanium Alloy.

PXABSL Screw (long), Abutment for Screw (5 pack)

Use in the lab when a longer screw is desired. Use only with the Abutment for Screw. Up to 7mm can be removed from the screw without losing the hex engagement. Hand-tighten or torque to 30Ncm depending on application. Titanium Alloy.



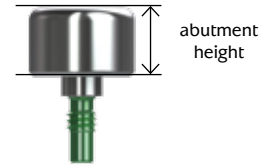
* Instrument o-rings & c-rings wear out over time. If an instrument is no longer held securely by its associated driver, order a replacement ring through Customer Care.

TISSUE-LEVEL IMPLANT PROSTHETICS

Components on this page are designed for use with BioHorizons Tapered Tissue Level and Single-stage Implants.

Tissue-level Healing Abutments

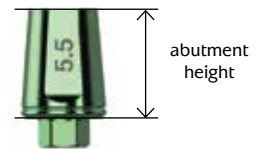
	abutment diameter	2mm height	3mm height	4mm height
3.5mm platform	5.1mm	SYHA20	SYHA30	SYHA40
4.5mm platform	6.1mm	SGHA20	SGHA30	SGHA40
5.7mm platform	7.3mm	SBHA20	SBHA30	SBHA40



Hand-tighten with the .050" (1.25mm) Hex Driver. Titanium Alloy. Can be used to contour tissue for Simple Solutions abutments. A 2mm Healing Abutment is packaged with each Single-stage implant. Laser marked for easy intraoral identification; for example: SG2: Green (4.5mm) platform / 2mm height

Tissue-level Simple Solutions Abutment Packs

	abutment pack	restorative pack
3.5mm platform 4mm height	SYAP40	SYRP40
3.5mm platform 5.5mm height	SYAP55	SYRP55
4.5mm platform 4mm height	SGAP40	SGRP40
4.5mm platform 5.5mm height	SGAP55	SGRP55
5.7mm platform 4mm height	SBAP40	SBRP40
5.7mm platform 5.5mm height	SBAP55	SBRP55

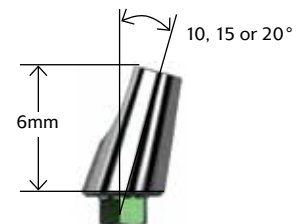


Abutment designed primarily for posterior restorations when abutment modification is not required. Packaged with an abutment screw (PXAS) and Healing Cap that can serve as a temporary. Titanium Alloy. Final torque: 30Ncm. Restorative pack conveniently includes the impression and lab components needed to restore a Simple Solutions abutment. Includes a snap cap impression transfer, one crown waxing sleeve, one bridge waxing sleeve and an implant/abutment replica for the working cast.

Tissue-level Angled Abutments for Cement-retained Restorations

- SYAA 3.5mm platform (10°)
- SGAA 4.5mm platform (15°)
- SBAA 5.7mm platform (20°)

Use to fabricate cement-retained, single- or multiple-unit prostheses. Packaged with an abutment screw (PXAS). Titanium Alloy. Final torque: 30Ncm.



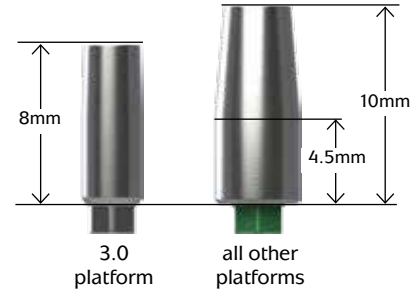
TISSUE-LEVEL IMPLANT PROSTHETICS

Components on this page are designed for use with BioHorizons Tapered Tissue Level and Single-stage Implants.

Tissue-level Narrow Emergence Abutments

TP3SA	3.0mm platform
PYNEA	3.5mm platform
PGNEA	4.5mm platform
PBNEA	5.7mm platform

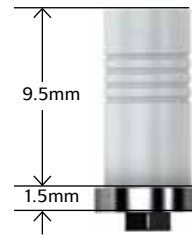
Use to fabricate cement-retained, single- or multiple-unit prostheses. Packaged with an abutment screw (PXAS). Titanium Alloy. Final torque: 30Ncm.



Tissue-level Custom Castable (UCLA) Abutments

SYCAH	3.5mm platform, hexed
SGCAH	4.5mm platform, hexed
SBCAH	5.7mm platform, hexed
SYCAN	3.5mm platform, non-hexed
SGCAN	4.5mm platform, non-hexed
SBCAN	5.7mm platform, non-hexed

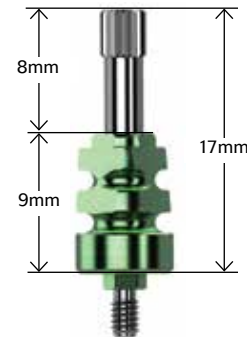
Use hexed abutments for single-unit, screw-retained or cement-retained, custom abutment restorations. Non-hexed abutment used for multiple-unit, screw-retained restorations. Packaged with an abutment screw (PXAS). Gold Alloy base with acetal resin (Delrin® or Pomalux®). Final torque: 30Ncm.



Tissue-level Direct Pick-up Copings

SYDCH	3.5mm platform, hexed
SGDCH	4.5mm platform, hexed
SBDCH	5.7mm platform, hexed
SYDCN	3.5mm platform, non-hexed
SGDCN	4.5mm platform, non-hexed
SBDCN	5.7mm platform, non-hexed

Use to make an open-tray, implant-level impression. Packaged with the extended direct coping screw, shallow hex (PXDCSS). Titanium Alloy. Hand-tighten.



Tissue-level Implant Analog

SYIA	3.5mm platform
SGIA	4.5mm platform
SBIA	5.7mm platform

Use in the lab to represent the Tapered Tissue Level or Single-stage implants in the working cast. Titanium Alloy.



PROSTHETIC INSTRUMENTATION

Prosthetic Kit

- PROS3000** **Enhanced Prosthetic Instrumentation Kit**
Includes:
- .050 (1.25mm) Manual Hex Driver
 - .050 (1.25mm) Manual Hex Driver, Long
 - .050 (1.25mm) Handpiece Hex Driver
 - .050 (1.25mm) Handpiece Hex Driver, Long
 - .050 (1.25mm) 4mm Square Hex Driver
 - .050 (1.25mm) 4mm Square Hex Driver, Long
 - Hand Wrench
 - 4mm Square Drive Extender
 - 4mm Square Multi-unit Hex Adapter
 - 12 Try-in Abutment Slots
 - 8 Optional Instrument Slots
 - Space for Torque Wrenches & AS123 Hand Unit
- Multi-unit Try-in Abutments, 300-100 and ATW are sold separately.*



- PROS2500** **Prosthetic Instrumentation Tray (not shown)**
Tray without instruments (included with PROS3000)

- 300-100*** **AS123 Hand Unit**
Provides improved vision and easy access to prosthetic components in posterior regions of the mouth. Hand Wrench and Drivers are sold separately.



- 300-400*** **Hand Wrench**
Use on drive end of AS123 Hand Unit. Also fits individual Hex Drivers/Adapters and Bone Taps.



- 300-206*** **4mm Square Drive Extender**
Replaced 300-205 starting in June 2010. Includes PEEK C-ring for durable retention in Ratchet. Cannot be used with bone taps.



Torque Wrenches

- ATW** **ITL Precise Adjustable Torque Wrench**
Place both implants and abutments with 9 distinct torque settings (15, 20, 25, 30, 35, 40, 45, 50 and 60 Ncm). A simple twist of the handle locks in precision-engineered torque values and guarantees accuracy and repeatability.



- EL-C12374** **Elos Adjustable Torque Wrench**
Lightweight titanium design is easy to use as an adjustable torque wrench or a ratchet. Quickly disassembles for cleaning. No calibration required.



- EL-C8521** **Elos Replacement Bit, 4mm Square Adapter**
EL-C8381 **Elos Replacement Bit, Handpiece**

- 300-430** **30 Ncm Torque Wrench**
Use break-style design to deliver 30 Ncm of torque to prosthetic components.



- WH-16934000** **IA-400 Prosthodontic Screwdriver**



* Instrument o-rings & c-rings wear out over time. If an instrument is no longer held securely by its associated driver, order a replacement ring through Customer Care.

PROSTHETIC INSTRUMENTATION

Abutment Prepping Handles

TP3AH	3.0mm platform Analog Handle
PYGAH	3.5/4.5mm platform Analog Handle
PBAH	5.7mm platform Analog Handle

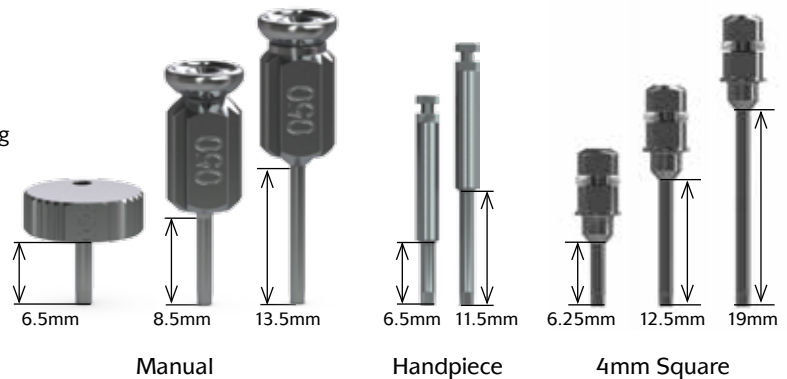


Use to comfortably hold abutments for chairside or laboratory preparation. Abutments are secured to the handle with a standard abutment screw (PXAS). Comes in three sizes: 3.0, 3.5/4.5 and 5.7mm.

.050" (1.25mm) Hex Drivers

135-251	Manual Hex Driver, Short
135-351	Manual Hex Driver
135-451	Manual Hex Driver, Long
134-350	Handpiece Hex Driver
134-450	Handpiece Hex Driver, Long
300-350*	4mm Square Hex Driver
300-351*	4mm Square Hex Driver, Long
300-354*	4mm Square Hex Driver, Extra Long

For installation and removal of cover caps, prosthetic and abutment screws.



Clean-out Tap Tools

PXCT*	Implant Clean-out Tap Tool
122-170*	Abutment for Screw Clean-out Tap Tool

Use PXCT to re-thread internal connection implants (Tapered Internal, Internal, Laser-Lok 3.0, Tapered Tissue Level and Single-stage), and 122-170 to re-thread Abutment for Screw abutments where the internal threads have become damaged. Requires a standard surgical Ratchet (130-000) or Hand Wrench (300-400) as a drive mechanism.




* Instrument o-rings & c-rings wear out over time. If an instrument is no longer held securely by its associated driver, order a replacement ring through Customer Care.

PROSTHETIC PLATFORM IDENTIFICATION

Prosthetic Platform Color Coding

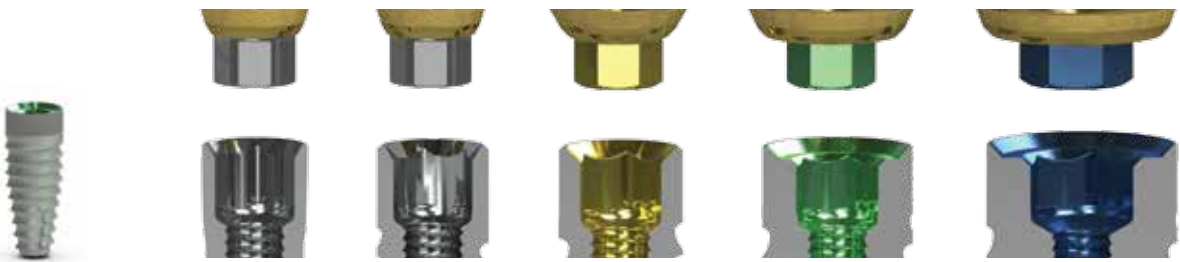
- BioHorizons prosthetic components are color-coded to match BioHorizons implant prosthetic platforms. To ensure compatibility:
- (1) determine the BioHorizons implant system from the patient's record (e.g. Tapered, Tapered Plus, Tapered Tissue Level)
 - (2) verify that the prosthetic component is intended for that system
 - (3) match the restorative component color with the implant prosthetic platform.

Tapered Internal Plus Implant System




prosthetic connection	3.0mm	3.5mm	4.5mm
body diameter	3.8mm	4.6mm	5.8mm

Tapered Internal Implant System



prosthetic connection	3.0mm	3.0mm	3.5mm	4.5mm	5.7mm
body diameter	3.0mm	3.4mm	3.8mm	4.6mm	5.8mm

Tapered Tissue Level Implant System



prosthetic connection	3.5mm	3.5mm	4.5mm	5.7mm
body diameter	3.0mm	3.8mm	4.6mm	5.8mm

Note: BioHorizons Internal prosthetic components are indicated for use with Zimmer Screw-Vent® and Tapered Screw-Vent® implant systems.

SUPPORT MATERIAL & REFERENCES

Restorative Support Material

L02015	Prosthetic Technique Manual (Interactive PDF)
ML0161	Tapered Family Prosthetic Reference
ML0206	Impression Technique Guide (PDF only)
L01022	Multi-unit Catalog and Manual
L01021	TeethXpress Technique Guide
EP-TXM0D	TeethXpress Patient Education Model
L02007	Simple Solutions Abutments with Laser-Lok Catalog and Manual (PDF only)
L01016	Restoring BioHorizons or Zimmer Implants with Simple Solutions Abutments (PDF only)
ML0155	BioHorizons Ceramic Abutments (PDF only)
ML0103	Dental Implants - Patient Education Brochure, 50 pk
ML0131	Dental Implants - Patient Education Flipbook
ML0114	Overdenture Patient Education Brochure, 50 pk
ML0615	Laser-Lok Abutment Study by Myron Nevins, DDS (PDF only)
ML0159	Connective Tissue Attachment to Laser - Microgrooved Abutments
ML0160	Reattachment of Connective Tissue Fibers to a Laser - Microgrooved Abutment Surface
SPMP14235	Electronic Dental Implant Patient Record (PDF only)

References

1. Human histologic evidence of a connective tissue attachment to a dental implant. M Nevins, ML Nevins, M Camelo, JL Boyesen, DM Kim. *International Journal of Periodontics & Restorative Dentistry*. Vol. 28, No. 2, 2008.
2. The effects of laser microtextured collars upon crestal bone levels of dental implants. S Weiner, J Simon, DS Ehrenberg, B Zweig, JL Ricci. *Implant Dentistry*. Volume 17, Number 2, 2008. p. 217-228.
3. Influence of a microgrooved collar design on soft and hard tissue healing of immediate implantation in fresh extraction sites in dogs. SY Shin, DH Han. *Clin. Oral Impl. Res.* 21, 2010; 804-814.
4. Maintaining inter-implant crestal bone height via a combined platform-switched, Laser-Lok® implant/abutment system: A proof-of-principle canine study. M Nevins, ML Nevins, L Gobbato, HJ Lee, CW Wang, DM Kim. *Int J Periodontics Restorative Dent*. Volume 33, Number 3, 2013.
5. Histologic evidence of a connective tissue attachment to laser microgrooved abutments: A canine study. M Nevins, DM Kim, SH Jun, K Guze, P Schupbach, ML Nevins. *International Journal of Periodontics & Restorative Dentistry*. Vol. 30, No. 3, 2010.
6. Histologic evidence of connective tissue integration on laser microgrooved abutments in humans. NC Geurs, PJ Vassilopoulos, MS Reddy. *Clinical Advances in Periodontics*. Vol. 1, No. 1, May 2011.
7. Connective tissue attachment to laser microgrooved abutments: A human histologic case report. M Nevins, M Camelo, ML Nevins, P Schupbach, DM Kim. *Int J Periodontics Restorative Dent*. Volume 32, Number 4, 2012. p. 384-392.
8. Reattachment of the connective tissue fibers to the laser microgrooved abutment surface. M Nevins, M Camelo, ML Nevins, P Schupbach, DM Kim. *Int J Periodontics Restorative Dent*. Volume 32, Number 4, 2012. e131-134.
9. The impact of dis-/reconnection of laser microgrooved and machined implant abutments on soft- and hard-tissue healing. Iglhaut G, Becker K, Golubovic V, Schliephake H, Mihatovic I. *Clin Oral Implants Res*. 2013 Apr;24(4):391-7.
10. Heat production by 3 implant drill systems after repeated drilling and sterilization. Chacon GE, Bower DL, Larsen PE, McGlumphy EA, Beck FM. *J Oral Maxillofac Surg*. 2006 Feb;64(2):265-9.

ORDERING & WARRANTY INFORMATION

Territory Manager: _____

cell phone: _____

email and/or fax: _____

BioHorizons Lifetime Warranty on Implants and Prosthetics: All BioHorizons implants and prosthetic components include a Lifetime Warranty. BioHorizons implant or prosthetic components will be replaced if removal of that product is due to failure (excluding normal wear to overdenture attachments).

Additional Warranties: BioHorizons warranties surgical drills, taps and other surgical and restorative instruments.

(1) Surgical Drills and Taps: Surgical drills and taps include a warranty period of ninety (90) days from the date of initial invoice. Surgical instruments should be replaced when they become worn, dull, corroded or in any way compromised. Surgical drills should be replaced after 12 to 20 osteotomies.¹⁰

(2) Instruments: The BioHorizons manufactured instrument warranty extends for a period of one (1) year from the date of initial invoice. Instruments include drivers, implant site dilators and BioHorizons tools used in the placement or restoration of BioHorizons implants.

Return Policy: Product returns require a Return Authorization Form, which may be acquired by contacting Customer Care. The completed Return Authorization Form must be included with the returned product. For more information, please see the reverse side of the invoice that was shipped with the product.

Disclaimer of Liability: BioHorizons products may only be used in conjunction with the associated original components and instruments according to the Instructions for Use (IFU). Use of any non-BioHorizons products in conjunction with BioHorizons products will void any warranty or any other obligation, expressed or implied.

Treatment planning and clinical application of BioHorizons products are the responsibility of each individual clinician. BioHorizons strongly recommends completion of postgraduate dental implant education and adherence to the IFU that accompany each product. BioHorizons is not responsible for incidental or consequential damages or liability relating to use of our products alone or in combination with other products other than replacement or repair under our warranties.

Distributed Products: For information on the manufacturer's warranty of distributed products, please refer to their product packaging. Distributed products are subject to price change without notice.

Validity: Upon its release, this literature supersedes all previously published versions.

Availability: Not all products shown or described in this literature are available in all countries. BioHorizons continually strives to improve its products and therefore reserves the right to improve, modify, change specifications or discontinue products at any time.

Any images depicted in this literature are not to scale, nor are all products depicted. Product descriptions have been modified for presentation purposes. For complete product descriptions and additional information, visit store.biohorizons.com.

Direct Offices

BioHorizons USA
888-246-8338 or
205-967-7880

BioHorizons Canada
866-468-8338

BioHorizons Spain
+34 91 713 10 84

BioHorizons UK
+44 (0)1344 752560

BioHorizons Germany
+49 761-556328-0

BioHorizons Chile
+56 (2) 23619519

BioHorizons Italy
800-063-040

Distributors

For contact information in our 90 countries, visit www.biohorizons.com



BioHorizons®, Laser-Lok®, MinerOss®, AutoTac®, Mem-Lok® and TeethXpress® are registered trademarks of BioHorizons. Unigrip™ is a trademark of Nobel Biocare AB. Zimmer® Dental ScrewVent® and Tapered ScrewVent® are registered trademarks of Zimmer, Inc. AlloDerm® and AlloDerm GBR® are registered trademarks of LifeCell Corporation. Grafton® DBM is a registered trademark of Medtronic, Inc. Spiralock® is a registered trademark of Spiralock Corporation. Pomalux® is a registered trademark of Westlake Plastics Co. Locator® is a registered trademark of Zest Anchors, Inc. Delrin® is a registered trademark of E.I. du Pont de Nemours and Company. Bio-Gide® is a registered trademark of Edward Geistlich Sohne AG Fur Chemische Industrie. Not all products shown or described in this literature are available in all countries. As applicable, BioHorizons products are cleared for sale in the European Union under the EU Medical Device Directive 93/42/EEC and the tissues and cells Directive 2004/23/EC. We are proud to be registered to ISO 13485:2003, the international quality management system standard for medical devices, which supports and maintains our product licences with Health Canada and in other markets around the globe. Original language is English. ©BioHorizons. All Rights Reserved.



L02008



REV G DEC 2016



Made in
the USA

shop online at
store.biohorizons.com